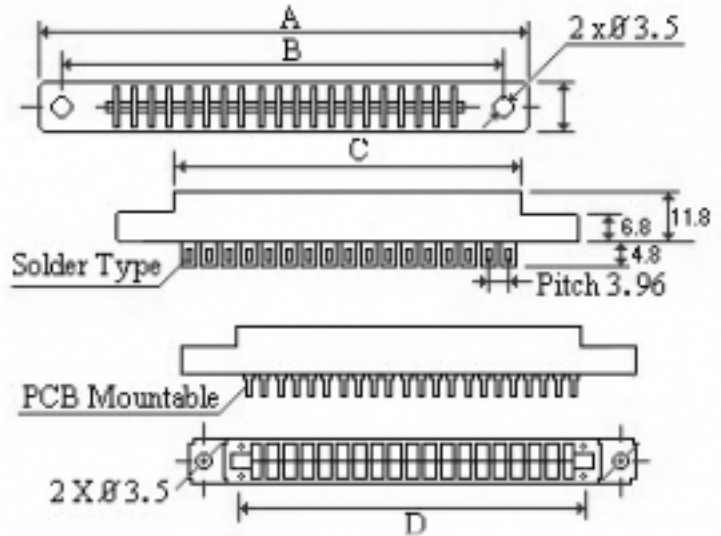
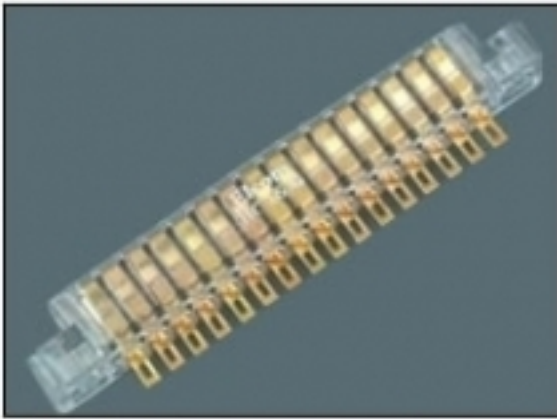


Type No.	No. Of Contacts	Dimensions						
		A	B	C	D	E	F	G
EC-12/P/S	12	69.4	55.6	55.7	51.8	7.0	12.2	5.5
EC-22/P/S	22	109.2	102.5	95.3	91.5	7.0	12.2	5.5

**Solder Eyelets. Gold / Silver or Tin Plated (Phenolic or DAP Insulator)**

### Specifications

Type:	Single Sided Edge Connector,
Temperature(Max):	80 Deg. C
V / A Rating:	5 Amp. 250Vac
Mounting:	Screw-type
Material Contacts:	PB - Gold, Silver or Tin Plated
Material Body:	Phenolic or DAP Insulator
Insulation Resistance(Min):	1000 M Ohms
H. V. Break Down:	1.5 KV
Contact Resistance, Max(Initial):	10 m Ohms
Card Thickness:	1.42 mm - 1.8 mm
No. of Contacts:	12,16,22
Terminals:	Solder-type

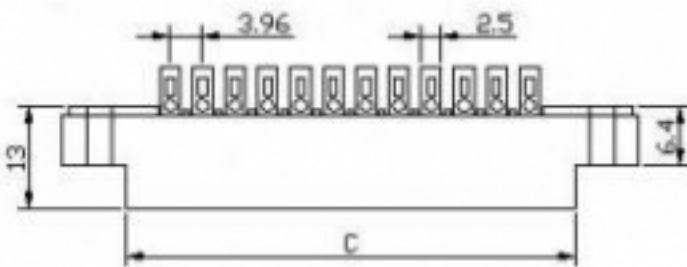
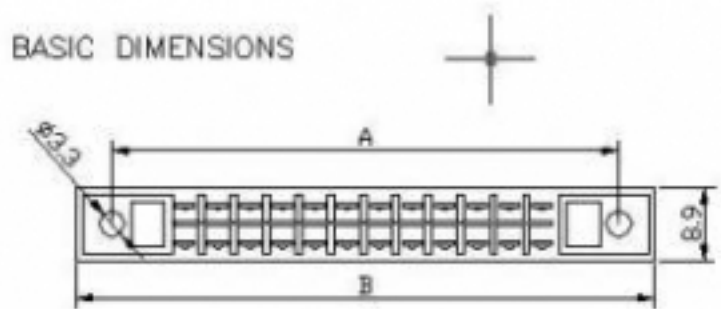
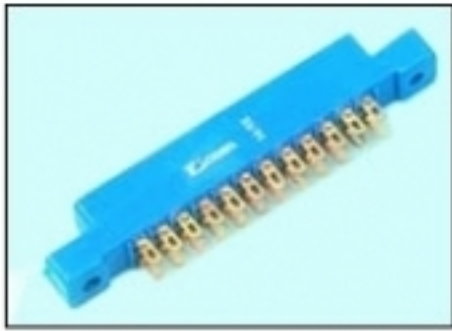


Type No	No. Of Contacts	Dimensions			
		A	B	C	D
<b>HC-6</b>	6	47.4	38.9	31.8	27.9
<b>HC-10</b>	10	63.0	53.0	47.6	45.4
<b>HC-12</b>	12	69.3	62.7	55.6	51.8
<b>HC-16</b>	16	84.7	78.4	71.2	68.1
<b>HC-18</b>	18	94.5	86.5	79.2	76.6
<b>HC-22</b>	22	108.8	102.4	95.1	91.4

**Solder / PCB Mountable. Gold / Silver or Tin plated (Polycarbonate / PBTP)**

### Specifications

Type:	Printed Circuit Connector With Bellows Contact
Temperature(Max):	80 Deg. C
V / A Rating:	5 Amp. 250Vac
Mounting:	Screw-type
Material Contacts:	Phosphor Bronze, Gold, Silver or Tin Plated
Material Body:	Polycarbonate/PBTP
Insulation Resistance(Min):	1000 M Ohms
H. V. Break Down:	1KV .
Contact Resistance, Max(Initial):	10 m Ohms
Card Thickness:	1.42 mm - 1.8 mm .
No. of Contacts:	6,10,12,16,18,
Terminals:	Solder-type

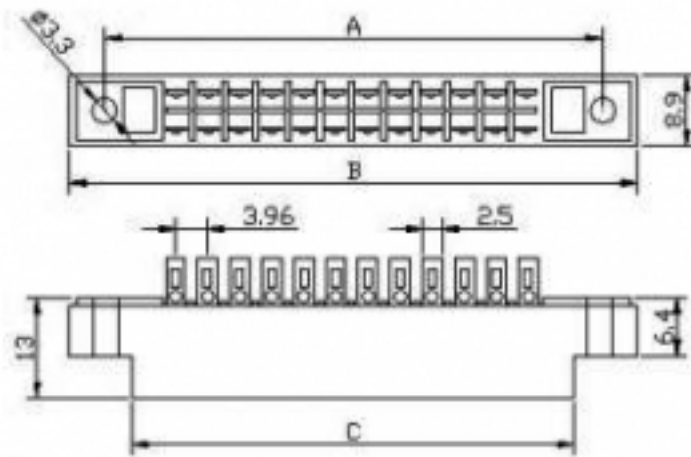
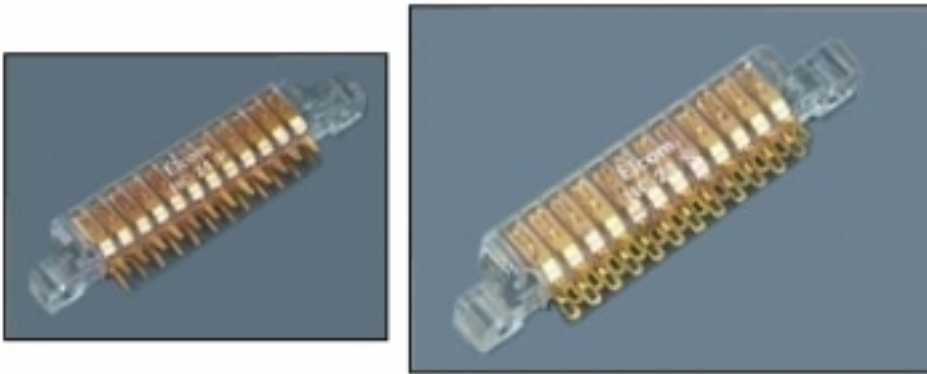


Product	No. of Pins	DIMENSIONS		
		A	B	C
EC-24	24	62.68	71.12	55.65
EC-44	44	102.28	110.72	95.25

Note : Put HC at the place of EC if transparent body is required.

## Specifications

Type:	Double Sided Edge Connector
Temperature(Max):	80 Deg. C
V / A Rating:	5 Amp. 250Vac
Mounting:	Screw-type
Material Contacts:	PB - Gold, Silver or Tin Plated .
Material Body:	DAP/Phenolic
Insulation Resistance(Min):	1000 M Ohms
H. V. Break Down:	1.5 KV
Contact Resistance, Max(Initial):	10 m Ohms
Card Thickness:	1.42 mm - 1.8 mm
No. of Contacts:	24,44
Terminals:	Solder-type

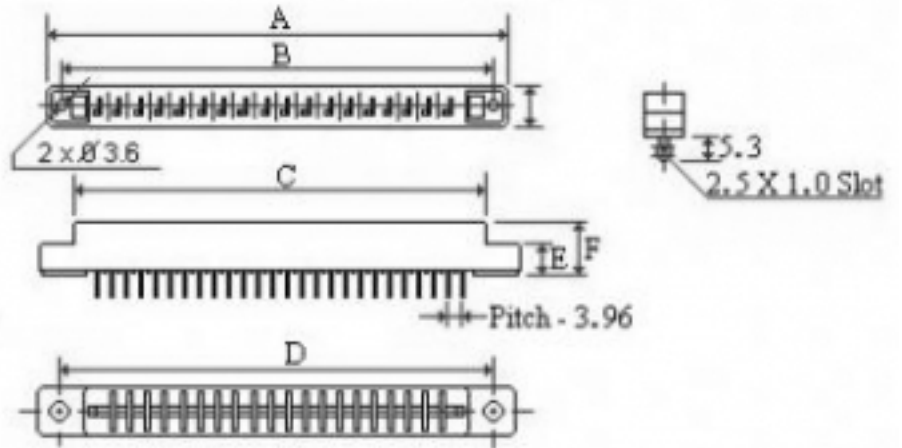


Product	No. of Pins	DIMENSIONS		
		A	B	C
HC-24	24	62.68	71.12	55.65
HC-44	44	102.28	110.72	95.25

Note : Put EC at the place of HC if Open body is required.

## Specifications

Type:	Printed Circuit Connector With Bellows Contact
Temperature(Max):	80 Deg. C
V / A Rating:	5 Amp. 250Vac
Mounting:	Screw-type
Material Contacts:	Phosphor Bronze, Gold, Silver or Tin Plated .
Material Body:	Polycarbonate
Insulation Resistance(Min):	1000 M Ohms
H. V. Break Down:	1KV
Contact Resistance, Max(Initial):	10 m Ohms
Card Thickness:	1.42 mm - 1.8 mm
No. of Contacts:	24,44
Terminals:	Solder-type

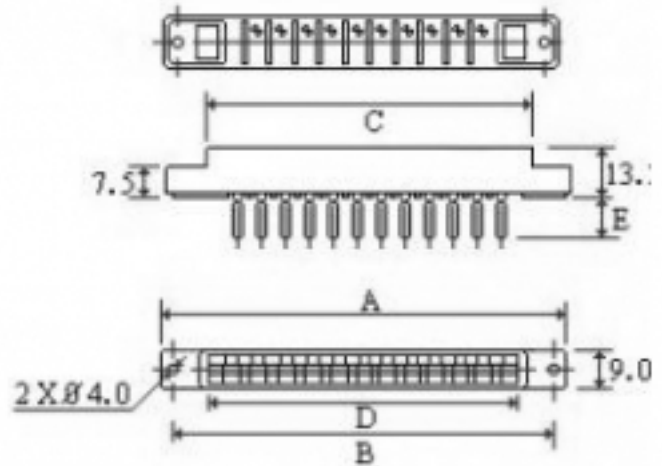
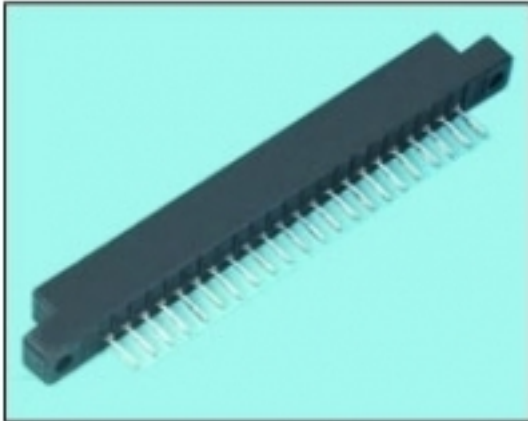


Type No.	No. Of Contacts	Dimensions						
		A	B	C	D	E	F	G
TF - 12	12	69.3	62.71	55.7	51.6	6.95	12.2	9.0
TF - 22	22	109.1	102.41	95.2	91.2	6.95	12.5	9.0

Gold / Silver or Tin Plated Contacts. Solderable (Phenolic / DAP Insulator)

### Specifications

Type:	Printed Circuit Edge Connector With Tuning Fork Contact
Temperature(Max):	80 Deg. C
Material Contacts:	Phosphor Bronze, Gold, Silver or Tin Plated
Material Body:	Phenolic/DAP
Insulation Resistance(Min):	1000 M Ohms
H. V. Break Down:	1.5 KV
Contact Resistance, Max(Initial):	10 m Ohms
Card Thickness:	1.42 mm - 1.8 mm
No. of Contacts:	12, 22



Type No.	No. Of Contacts	Dimensions				
		A	B	C	D	E
<b>PCX - 12</b>	12	69.4	63.0	55.8	52.0	8.0
<b>PCX - 22</b>	22	110.0	102.0	95.2	91.0	7.0

Gold / Silver or Tin Plated Contacts. Solderable

### Specifications

Type:	Printed Circuit Connector With Cantilever Contact
Temperature(Max):	80 Deg. C
Material Contacts:	Phosphor Bronze, Gold, Silver or Tin Plated
Material Body:	Polycarbonate/PBTP
Insulation Resistance(Min):	1000 M Ohms
H. V. Break Down:	1.5 KV
Contact Resistance, Max(Initial):	10 m Ohms
Card Thickness:	1.42 mm - 1.8 mm
No. of Contacts:	12, 22